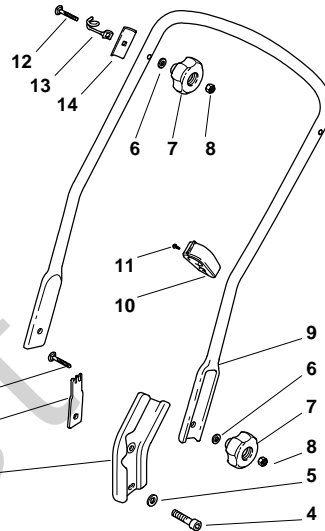


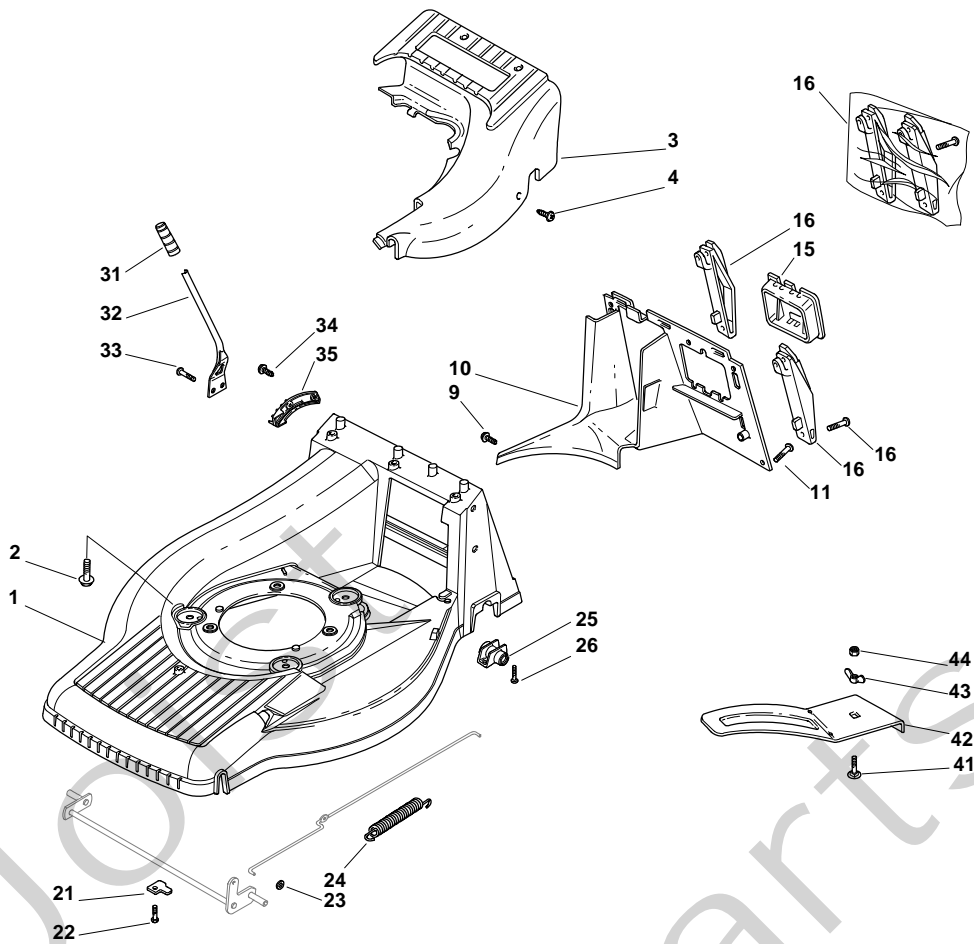
Genuine Spare Parts

**TURBO 45 S
RENTAL**

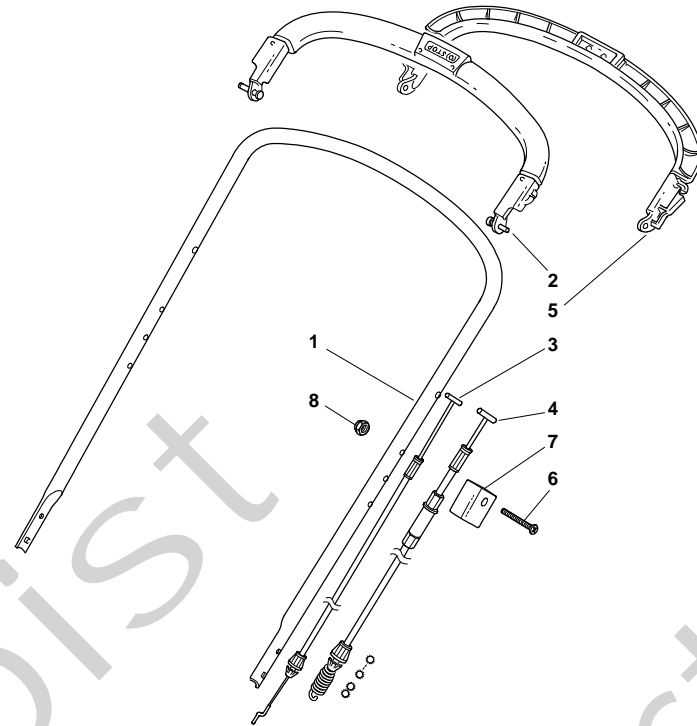




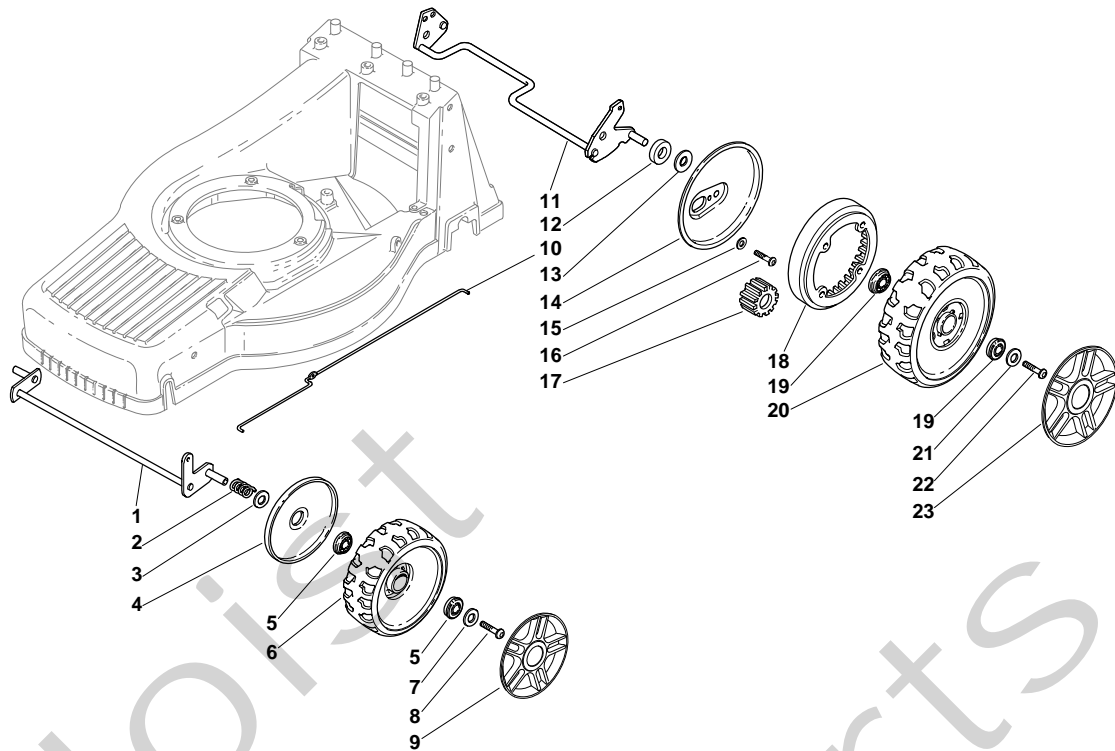
Pos. Fig.	Antal Quantity	Art No Part No	Benämning	Description	Anmärkning Notes
	4	12361005/0	Mutter	Nut	
	4	12521350/0	Bricka	Washer	
	2	12521350/0	Bricka	Washer	
	1	12728691/0	Skruv	Screw	
	2	12760515/0	Skruv	Screw	
	2	12820655/0	Skruv	Screw	
	1	22192001/0	Kabelhållare	Anchor Clamp	
	4	22399810/0	Låsratt	Knob	
	1	22430311/0	Ögla	Guide Spring	
	2	22545137/0	Förstärkning	Plate For Handle Fastening	
	1	22551635/0	Platta	Plate For Handle	
	2	22778405/0	Styrfäste	Support	
	1	81002239/0	Uppsamlingsäck	Box, Fabric	
	1	81006612/0	Styre-underdel	Handle, Lower Part	454
1	1	12820655/0	Skruv	Screw	
2	1	22551635/0	Platta	Plate For Handle	
3	1	22778405/0	Styrfäste	Support	
4	1	12760515/0	Skruv	Screw	
5	1	12521350/0	Bricka	Washer	
6	1	12521350/0	Bricka	Washer	
6	1	81002239/0	Uppsamlingsäck	Box, Fabric	
7	1	22399810/0	Låsratt	Knob	
8	1	12361005/0	Mutter	Nut	
9	1	81006612/0	Styre-underdel	Handle, Lower Part	
10	1	22192001/0	Kabelhållare	Anchor Clamp	
11	1	12728691/0	Skruv	Screw	
12	1	12820655/0	Skruv	Screw	
13	1	22430311/0	Ögla	Guide Spring	
14	1	22545137/0	Förstärkning	Plate For Handle Fastening	



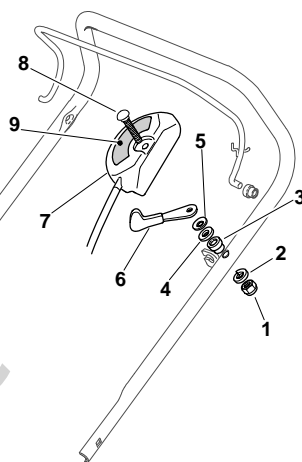
Pos. Fig.	Antal Quantity	Art No Part No	Benämning	Description	Anmärkning Notes
1	1	381002656/1	Chassi	Deck Yellow	
1	1	381002656/1	Chassi	Deck Yellow	454
2	3	112735108/1	Skruv	Screw	
3	1	22060151/0	Klpa-gul	Protection, Yellow	454
3	1	22060151/0	Klpa-gul	Protection, Yellow	
4	3	12728300/0	Skruv	Screw	
9	1	12728300/0	Skruv	Screw	
10	1	22108276/0	Ledplåt-bakre	Rear Conveyor Assy	454 Mulching
10	1	22108276/0	Ledplåt-bakre	Rear Conveyor Assy	
11	3	12735664/0	Skruv	Screw	
15	1	22109531/0	Lock	Cover	
16	1	81008658/1	Skruvsats	Outfit, Supports	
21	2	22545160/0	Överfall	Plate	
22	2	12735664/0	Skruv	Screw	
23	2	12604898/0	Låsbricka	Crown Fastener	
24	1	22446181/0	Fjäder	Spring	
25	2	22785153/0	Bussning	Support, Gear Box	
26	4	12735664/0	Skruv	Screw	
31	1	22399808/0	Handtag	Knob	
32	1	22321515/0	Höjdinst.spak	Lever, Height Adjustment	
33	2	12735661/0	Skruv	Screw	
34	2	12728300/0	Skruv	Screw	
35	1	22735563/0	Höjdinst.sektor	Sector, Height Adjustment	
41	1	12818690/0	Skruv	Screw	454
41	1	12818690/0	Skruv	Screw	
42	1	22140229/0	Mulchplugg	Deflector	454
42	1	22140229/0	Mulchplugg	Deflector	
43	1	22399807/0	Lås ratt	Knob	
43	1	22399807/0	Lås ratt	Knob	454
44	1	12293200/0	Mutter	Nut	
44	1	12293200/0	Mutter	Nut	454



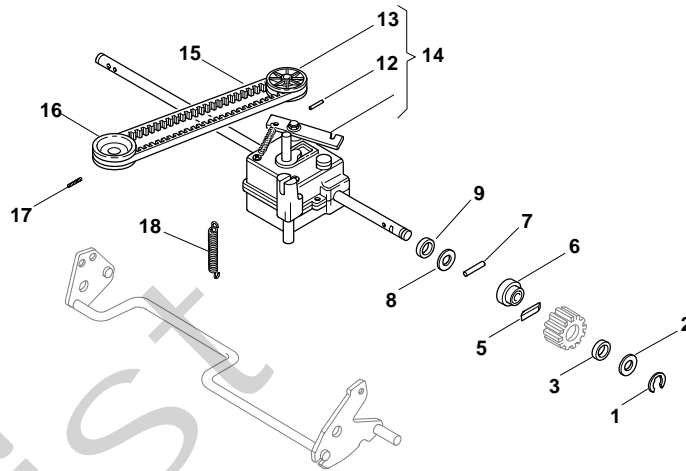
Pos. Fig.	Antal Quantity	Art No Part No	Benämning	Description	Anmärkning Notes
1	1	81006616/1	Styre-överdel	Handle, Upper Part	
1	1	81006616/1	Styre-överdel	Handle, Upper Part	454
2	1	81003298/1	Reglagebygel	Lever, Engine Brake	
3	1	81000685/0	Motorbromswire	Cable, Thread Motor Brake	
3	1	81000685/0	Motorbromswire	Cable, Thread Motor Brake	454 (B&S 450-500 Series)
3	1	81000685/0	Motorbromswire	Cable, Thread Motor Brake	454 (Ggp 140cc)
4	1	81000697/0	Kopplingswire	Cable, Rear Drive	
5	1	81003297/1	Reglagebygel-drivning	Driving Lever	
6	1	12727783/0	Skruv	Screw	
7	1	22551640/0	Wirefäste	Plate	
8	1	12154510/0	Mutter	Nut	

TURBO 45 S RENTAL - Model Year 2009


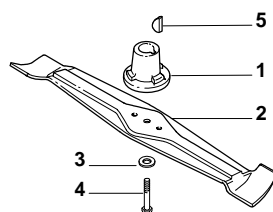
Pos. Fig.	Antal Quantity	Art No Part No	Benämning	Description	Anmärkning Notes
1	1	81002843/0	Hjulaxel	Axle, Front Wheels	454
1	1	81002843/0	Hjulaxel	Axle, Front Wheels	
2	2	22430215/0	Fjäder	Spring	
3	2	12521370/0	Bricka	Washer	
4	2	22600095/0	Hjulskydd	Protection	
5	4	22122200/0	Kullager	Bearing	
6	2	22686091/1	Hjul	Wheel	
7	2	12521460/0	Bricka	Washer	
8	2	12735662/0	Skruv	Screw	
9	2	22110491/0	Navkapsel	Hub Cap Grey	
10	1	22033321/0	Höjdinst.stång	Rod, Height Adjustment Control	
10	1	22033321/0	Höjdinst.stång	Rod, Height Adjustment Control	454
11	1	81002841/0	Hjulaxel	Axle, Rear Wheels	454
11	1	81002841/0	Hjulaxel	Axle, Rear Wheels	
12	2	22170815/0	Distans	Spacer	
13	2	22675100/0	Bricka	Washer	
14	2	22600121/0	Hjulskydd	Protection, Wheel	
15	2	12521460/0	Bricka	Washer	
16	2	12735662/0	Skruv	Screw	
17	2	22570125/0	Drev	Pinion	
18	2	22120109/0	Kuggring	Sprocket	
19	4	22122200/0	Kullager	Bearing	
20	2	22686093/0	Hjul	Wheel	
21	2	12521460/0	Bricka	Washer	
22	2	12735662/0	Skruv	Screw	
23	2	22110492/0	Navkapsel	Hub Cap Grey	



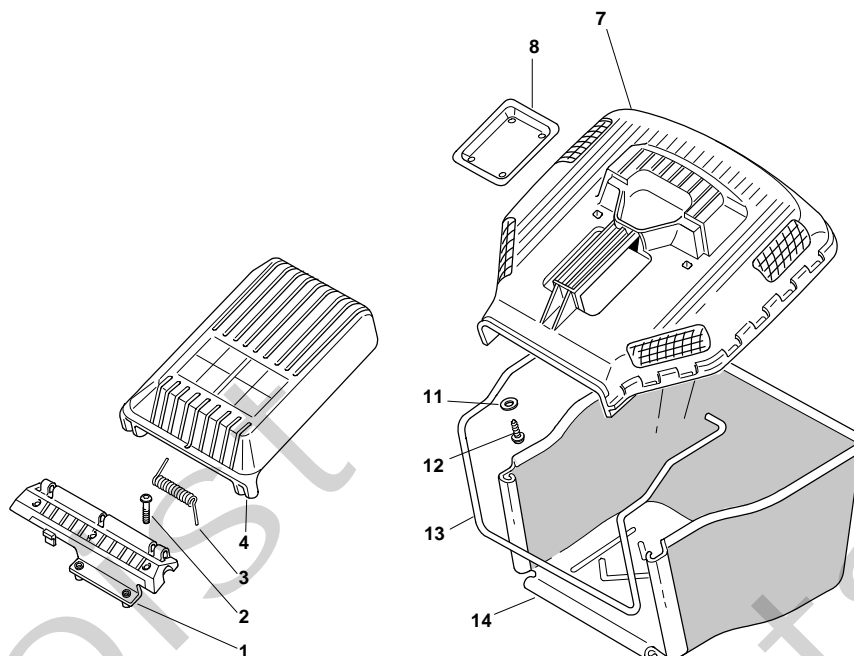
Pos. Fig.	Antal Quantity	Art No Part No	Benämning	Description	Anmärkning Notes
1	1	12291000/0	Mutter	Nut	
2	1	12581500/0	Låsbricka	Grower	
3	1	22171005/0	Distans	Spacer	
4	1	12521360/0	Bricka	Washer	
5	1	12508100/0	Låsbricka	Washer	
6	1	81007220/0	Gasarm	Lever, Throttle	(B&S 450-500 Series - Ggp 150 cc)
6	1	81007220/0	Gasarm	Lever, Throttle	
6	1	81007279/1	Gasarm	Lever, Throttle	(B&S 625-675-700 Series - Honda - Ggp 140-160-196 cc)
6	1	81007279/1	Gasarm	Lever, Throttle	
7	1	81007080/0	Gaswire	Cable, Throttle	
8	1	12815000/0	Skruv	Screw	
9	1	114356905/0	Dekal	Label	
9	1	114356905/0	Dekal	Label	(Honda GCV 160-190 Autochoke)
9	1	114356905/0	Dekal	Label	(B&S 700 series DOV)
9	1	114364264/0	Dekal	Label	
9	1	114364264/0	Dekal	Label	AVS (GGP 160-196)
9	1	14356702/0	Dekal	Label	(GGP)
9	1	14356702/0	Dekal	Label	(Honda)
9	1	14356702/0	Dekal	Label	
9	1	14356703/0	Dekal	Label	
9	1	14356703/0	Dekal	Label	(B&S)



Pos. Fig.	Antal Quantity	Art No Part No	Benämning	Description	Anmärkning Notes
1	2	12000957/0	Låsring	Benzing	
2	2	12520032/0	Bricka	Washer	
3	2	22160520/0	Dammskydd	Dust Cover	
5	2	22076645/0	Kil	Key	
6	2	22170630/0	Distans	Spacer	
7	2	22753002/0	Stift	Pin	
8	2	12520032/0	Bricka	Washer	
9	2	19035152/0	Tätningring	O-ring	
12	1	12620310/0	Stift	Pin	
13	1	22601913/0	Remskiva	Pulley	
14	1	81003084/0	Transmission	Gear Box	454
14	1	81003084/0	Transmission	Gear Box	
15	1	35063173/0	Drivrem	Belt	454
15	1	35063173/0	Drivrem	Belt	
16	1	122601921/0	Remskiva	Pulley	
16	1	22601918/0	Remskiva	Pulley	
17	1	12714312/0	Stift	Dowel	
18	1	22450434/0	Fjäder	Spring	



Pos. Fig.	Antal Quantity	Art No Part No	Benämning	Description	Anmärkning Notes
1	1	122465630/0	Knivfäste	Hub	
1	1	22465618/0	Nav	Hub	
2	1	81004131/0	Kniv	Blade	
2	1	81004131/0	Kniv	Blade	454
2	1	81004143/0	Kniv	Blade	
2	1	81004143/0	Kniv	Blade	504
2	1	81004144/0	Kniv	Blade	
2	1	81004144/0	Kniv	Blade	554
3	1	12530140/0	Bricka	Washer	
4	1	12735698/0	Skruv	Screw	
5	1	12139100/0	Kil	Key	
5	1	12139150/0	Kil	Feather	
6	1	12139150/0	Kil	Feather	



Pos. Fig.	Antal Quantity	Art No Part No	Benämning	Description	Anmärkning Notes
1	1	22785178/0	Luckfäste	Support, Black	454
1	1	22785178/0	Luckfäste	Support, Black	
2	3	12735664/0	Skruv	Screw	
3	1	22450443/0	Fjäder	Spring	
4	1	22600079/0	Lucka	Stone-Guard	
4	1	22600079/0	Lucka	Stone-Guard	454
7	1	22486115/0	Uppsamlare-överdel	Grassbox Upper Part	
7	1	22486115/0	Uppsamlare-överdel	Grassbox Upper Part	454
8	1	22486098/0	Platta	Plate	
11	2	12521460/0	Bricka	Washer	
12	2	12728300/0	Skruv	Screw	
13	1	22608518/0	Trådbygel	Stiffening Lower	454
13	1	22608518/0	Trådbygel	Stiffening Lower	
14	1	81002239/0	Uppsamlingsäck	Box, Fabric	
14	1	81002239/0	Uppsamlingsäck	Box, Fabric	454